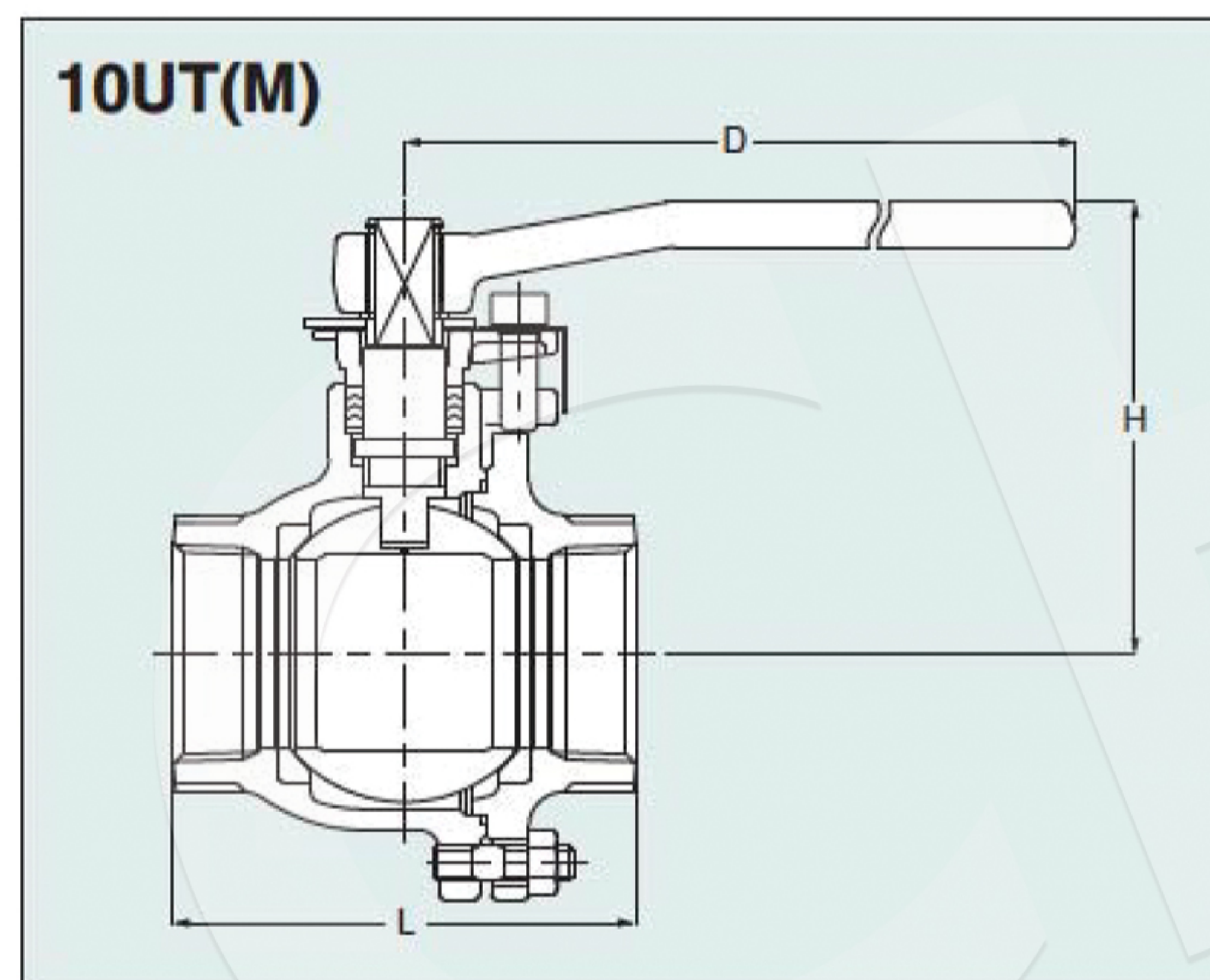


10K Stainless Steel Ball Valves

Full bore, Split body, Side entry design, Threaded ends

Page 103 for Pressure-Temperature Ratings.

- Choice of threaded ends:
 - Rc threads to JIS B0203 (BS 21) (Fig. 10UTM)



Materials

Parts	Materials
Body	SCS13A (SCS14A*)
Body cap	SCS13A (SCS14A*)
Ball	SUS316 or SCS14A
Stem	SUS304 (SUS316*)
Seat	PTFE
Gland packing	PTFE
Gasket	PTFE
Handle	Plastic covered S.S.

End to end dimensions: KITZ standard
 Wall thickness: ASME B16.34 Class 150
 *SCS14A/SUS316 are available for (M).

Dimensions of 10UT(M)

Unit: mm

Nominal Size	NPS	3/8	1/2	3/4	1	1 1/4	1 1/2	2	2 1/2	3
	DN	10	15	20	25	32	40	50	65	80
Ball bore		10	15	20	25	32	40	50	65	80
L		62	65	80	90	110	120	140	160	182
H		71	102	105	124	130	115	120	155	165
D		130	130	130	160	160	230	230	400	400

Refer to "Product Range" on Page 7.

Valve operator
 Lever operation